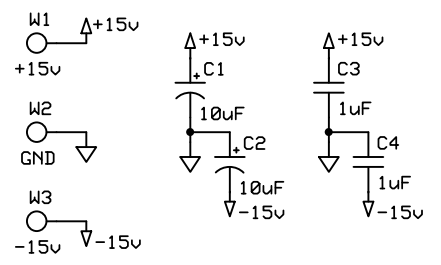
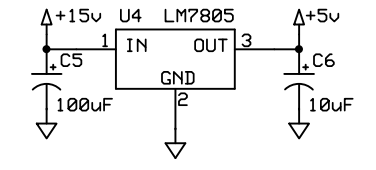


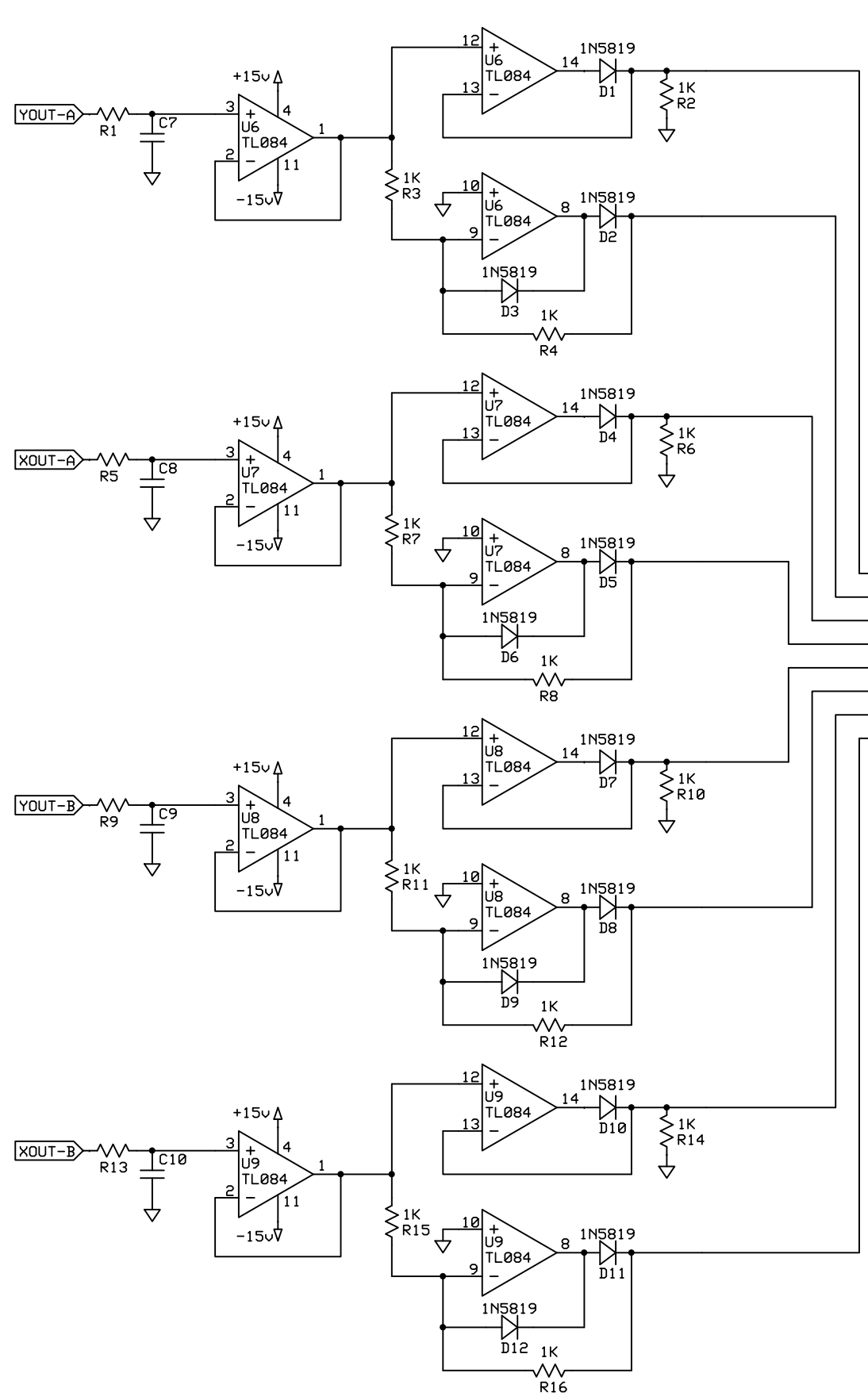
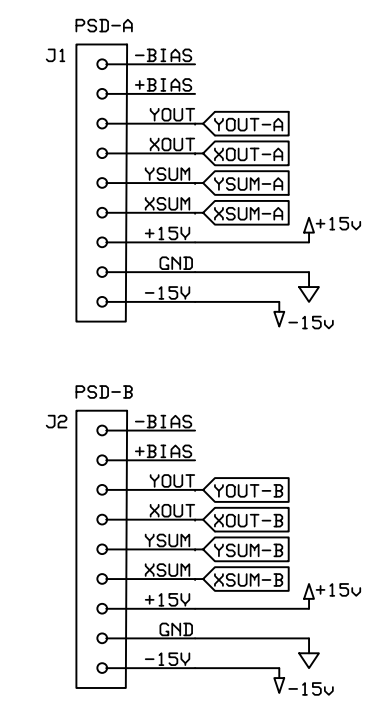
External Power Inputs



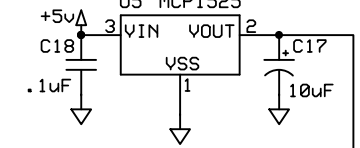
5v Regulator



PSD Connectors



2.5v Reference



Differential ADC

